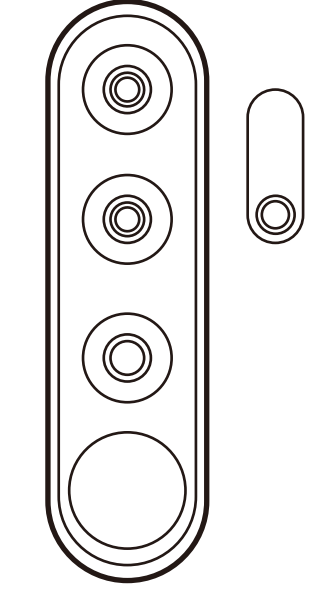


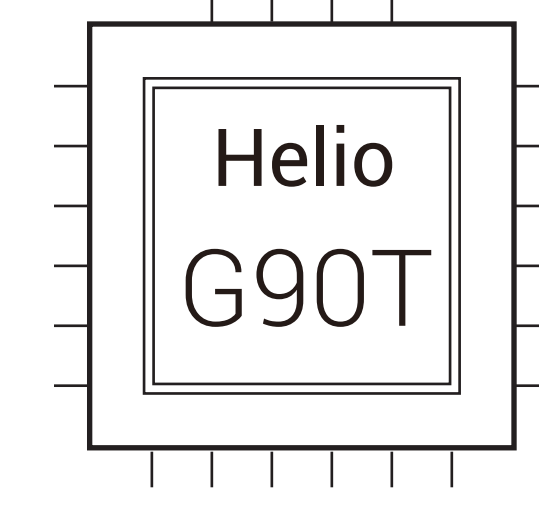


# Redmi Note 8 Pro

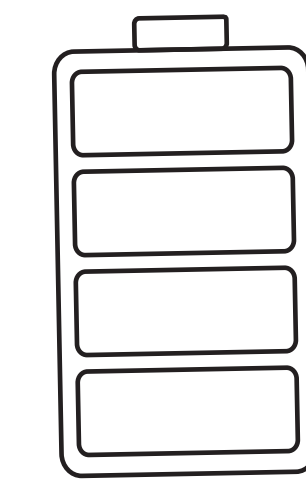
## Pioneer of 64MP Quad Camera



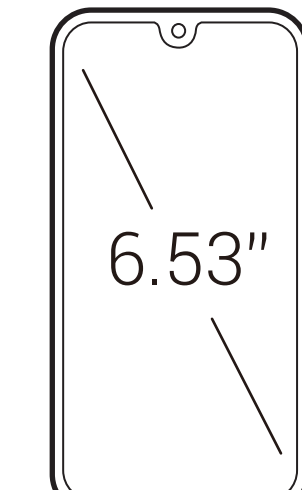
64MP ultra high-resolution camera  
Quad camera with ultra-wide and macro lenses



High-performance Helio G90T  
LiquidCool system



4500mAh (typ) high-capacity battery  
18W fast charge



6.53" FHD+ Dot Drop display  
Corning® Gorilla® Glass 5 front and rear

### Camera

- 64MP + 8MP + 2MP + 2MP AI quad rear camera
  - 64MP ultra high-resolution wide camera, Samsung ISOCELL GW1, f/1.89
    - 0.8µm - AF, 6P lens, FOV 79°
  - 8MP ultra wide-angle camera, 1.12µm
    - 120° field of view\*
  - 2MP macro camera, 1.75µm, 2cm autofocus
  - 2MP depth camera, 1.75µm
- Supports AI scene detection, AI ultra wide-angle mode
- Steady handheld night photography
- 960fps slow motion video
- 20MP front camera
  - f/2.0, 0.9µm
  - AI portrait selfies, AI scene detection, panorama selfie, palm shutter

### Performance

- MediaTek Helio G90T
  - Arm Cortex-A55, Arm Cortex-A76
  - Up to 2.05GHz
  - Arm Mali-G76 3EEMC4 GPU, up to 800MHz
- LiquidCool technology
- 6GB+64GB, 6GB+128GB
  - LPDDR4x RAM, UFS 2.1 storage
- Game Turbo 2.0

### Battery/charging

- 4500mAh(typ) battery
- Supports 18W fast charge

### Display and design

- 6.53" 19.5:9 Dot Drop display
- FHD+ (2340 × 1080)
- 500nit (typ) maximum brightness
- Color contrast ratio: 1500:1, NTSC: 84%(typ)
- Software buttons, Full screen gestures
- Dimensions: 161.35mm x 76.4 mm x 8.79mm
- Weight: 199.8g
- Available colours: Mineral Grey, Pearl White, Forest Green
- Corning® Gorilla® Glass 5 front and rear
- Certified by TÜV Rheinland for blue light protection

### Connectivity

- Dual 4G standby
- Bands
  - GSM B2/3/5/8
  - WCDMA B1/2/4/5/8
  - TDD-LTE B38/40
  - FDD-LTE B1/2/3/4/5/7/8/20/28
- Multifunctional NFC
- USB Type-C
- 3.5mm headphone jack
- WiFi X antenna

### Security

- Rear fingerprint sensor
- AI Face unlock

### 64MP quad camera, four cameras for any situation

Redmi Note 8 Pro sports the latest Samsung GW1 sensor, equipped with ISOCELL Plus technology and a staggering 64 million pixels. This means the rear camera delivers insanely high resolution photos for print mediums as tall as 3.26 meters in height. In addition to the 64MP primary camera, the device is equipped with an 8MP ultra-wide camera with a 120° field of view, 2MP macro camera, and 2MP depth sensor, making it the most versatile Redmi shooter ever.

### Helio G90T with LiquidCool technology for an incredible gaming experience

Redmi Note 8 Pro is powered by the latest MediaTek Helio G90T chipset, an octa-core CPU clocked up to 2.05GHz. Powering the gaming experience is Arm Mali-G76 3EEMC4 GPU with a max frequency of 800MHz. Combining this with the powerful LiquidCool system, Redmi Note 8 Pro can sustain peak performance for extended periods, so users can game high-speed and hassle-free.

### Powerful 4500mAh battery and 18W fast charge support

Redmi Note 8 Pro builds on the Redmi Note tradition with a massive 4500mAh battery—the series' largest ever. This large battery can carry users through the day and even the next, depending on usage conditions. Redmi Note 8 Pro also features 18W Type-C fast charging, a 3.5mm headphone jack, and multifunctional NFC.

### 6.53" FHD+ Dot Drop display

Redmi Note 8 Pro features a large 6.53" 19.5:9 FHD+ immersive display. The high pixel density 2340 × 1080 resolution ensures a crisp viewing experience, and 84% NTSC color gamut offers realistic, vibrant colors. Redmi Note 8 Pro also features Corning® Gorilla® Glass 5 on both front and rear, protecting it from both accidental falls and day-to-day wear and tear.

\*118 degrees after distortion correction

\*\*\*Only for use after local legal and product confirmation